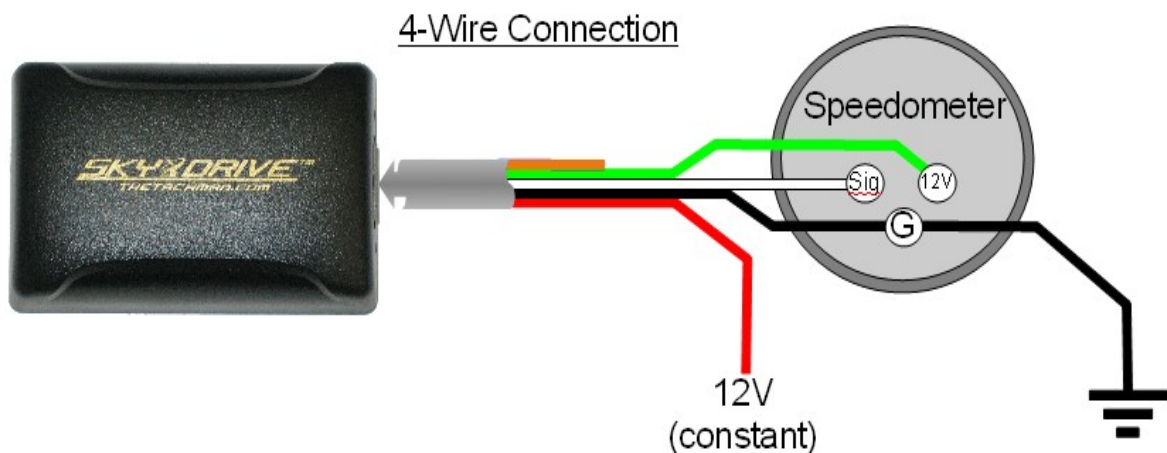
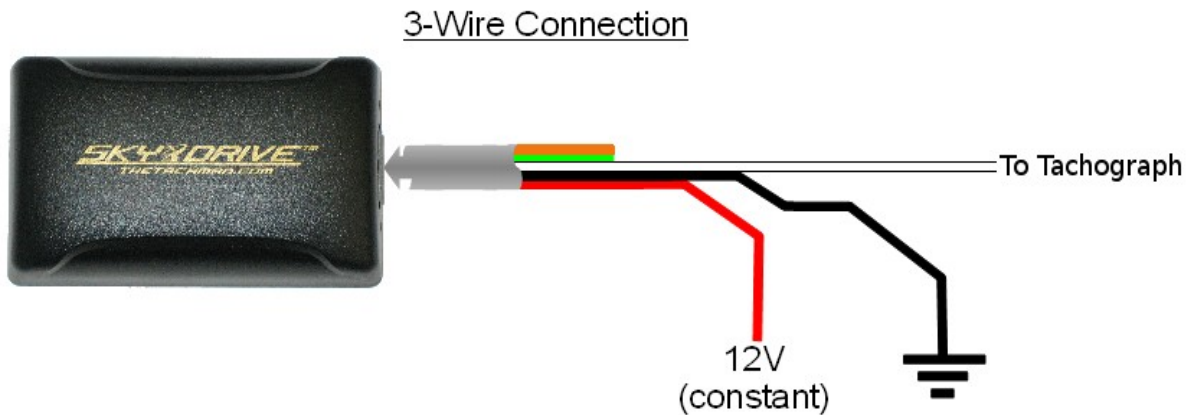
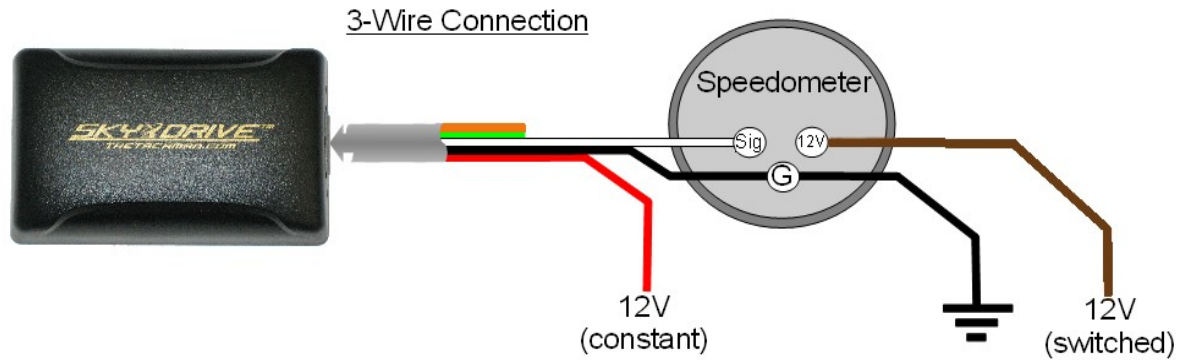


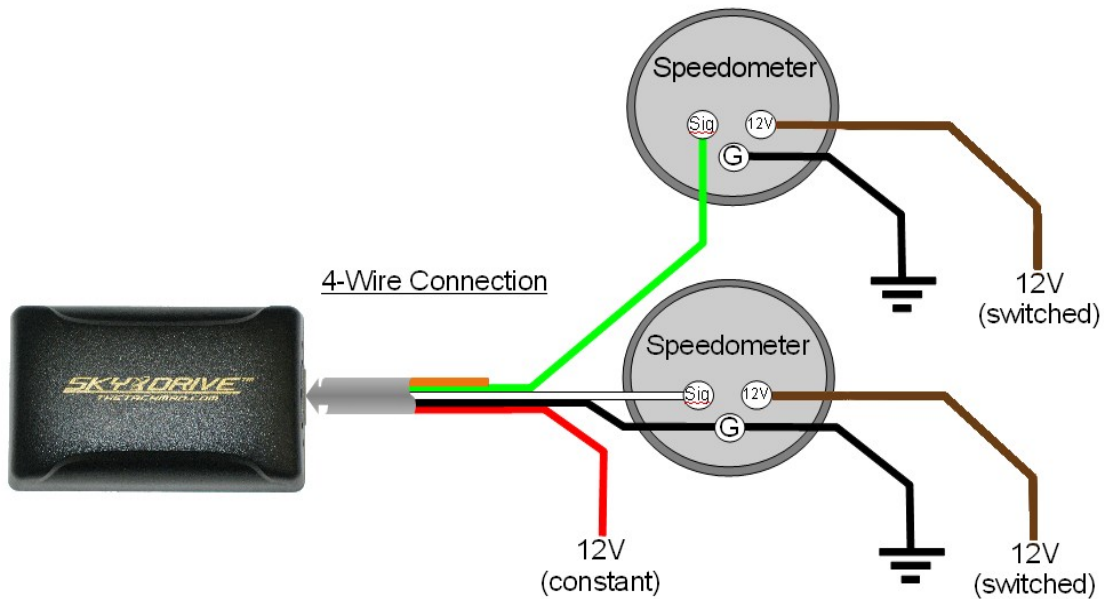
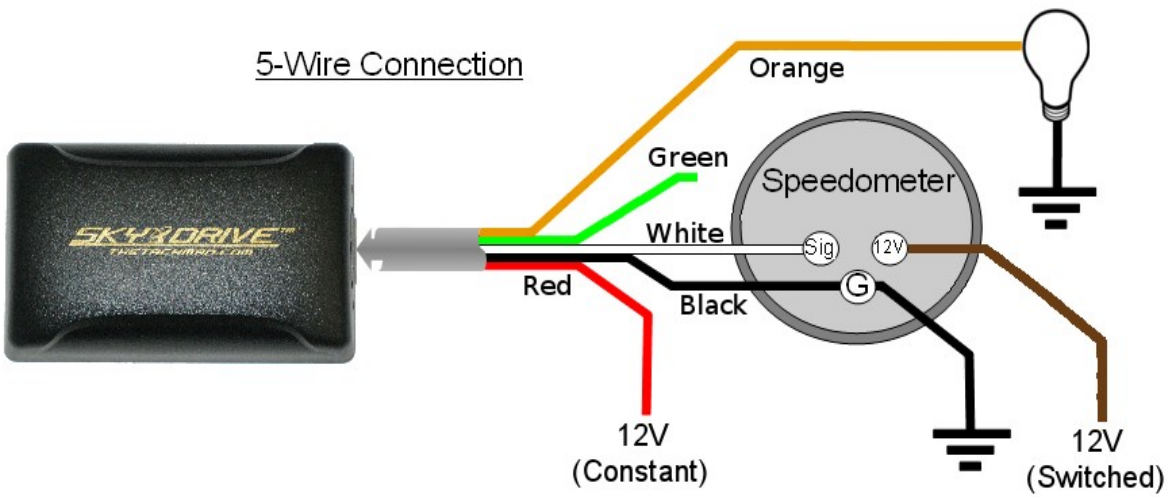
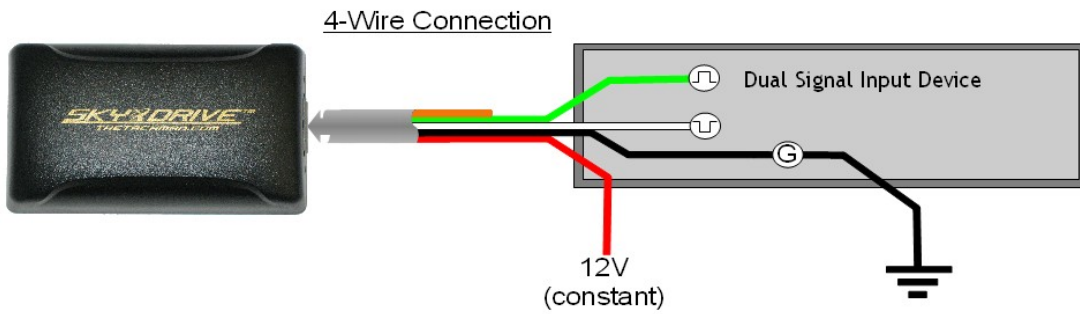
Sky Drive Wiring Diagrams

(3 Pages)



CA Instruments

33 Boulder Blvd. Stony Plain, AB
780-963-8930

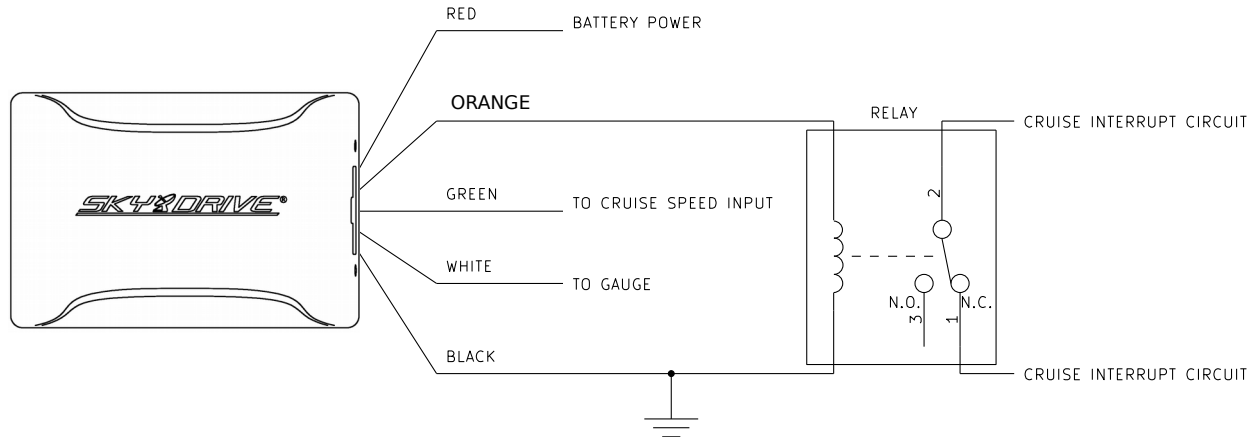


FC & CE
Certified

CA Instruments

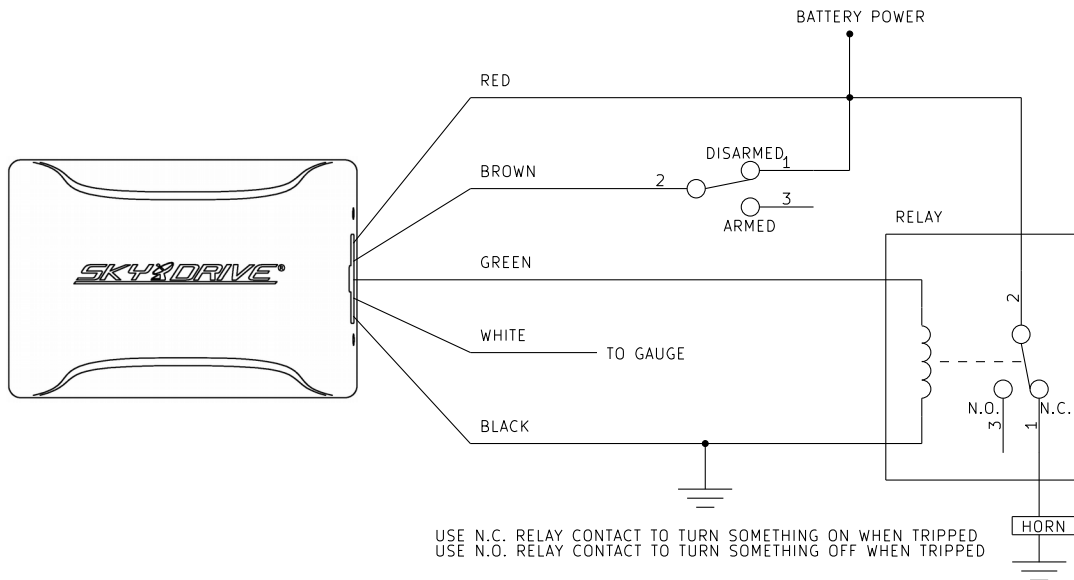
33 Boulder Blvd. Stony Plain, AB
780-963-8930

SKY DRIVE® CRUISE CONTROL CONNECTION SCHEMATIC



AS A SAFETY FEATURE, THE SKY DRIVE IS DESIGNED TO TURN OFF THE VEHICLE'S CRUISE CONTROL IN THE EVENT OF A LOST GPS SIGNAL. A TWO-SECOND, 12-VOLT PULSE IS PROVIDED ON THE BROWN WIRE TO DRIVE A RELAY COIL, WHICH MUST BE WIRED INTO THE VEHICLE'S CRUISE CONTROL INTERRUPT CIRCUIT.

SkyFence™ CONNECTION SCHEMATIC



USE N.C. RELAY CONTACT TO TURN SOMETHING ON WHEN TRIPPED
USE N.O. RELAY CONTACT TO TURN SOMETHING OFF WHEN TRIPPED

IF THE BROWN WIRE IS CUT, THE SKY DRIVE IS ARMED BY DEFAULT
IF THE GREEN/BLACK/RED WIRES ARE CUT, THE SKY DRIVE IS TRIPPED BY DEFAULT

FC & CE
Certified